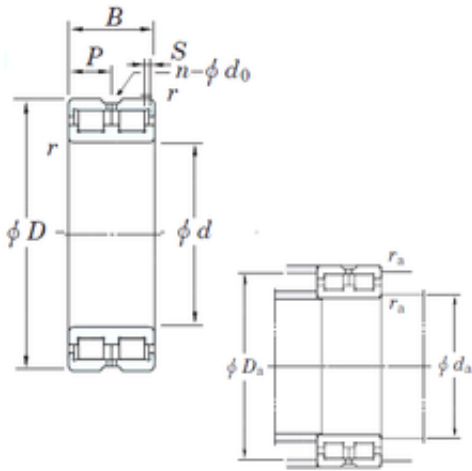




ALL TYPES BEARINGS BUSINESS CO.,LTD.



260 mm x 360 mm x 100 mm KOYO DC4952VW cylindrical roller bearings

Bearing No. DC4952VW

DC4952VW Bearing 2D drawings and 3D CAD models

Size	260x360x100 mm
Bore Diameter	260 mm
Outer Diameter	360 mm
Width	100 mm
d	260 mm
D	360 mm
B	100 mm
C	100 mm
n	8 mm
p	50 mm
r min.	2,1 mm
S	6 mm
da min.	272 mm
Da max.	348 mm
ra max.	2 mm
Weight	32 Kg
Basic dynamic load rating (C)	1 070 kN
Bearing No.	DC4952VW
r(min)	2.1
Cr	1070
C0r	2520
S	6 mm
P	50
n(qty)	8
do	6



ALL TYPES BEARINGS BUSINESS CO.,LTD.

da(min)	272
Da(max)	348
ra(max)	2
(Refer.)Mass(Fixed side)(kg)	31.2