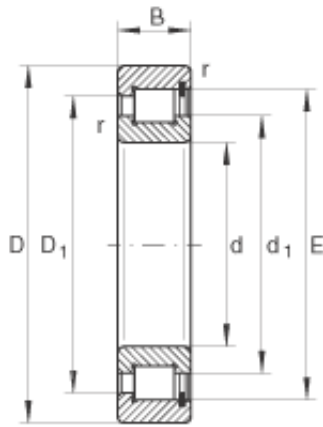




# ALL TYPES BEARINGS BUSINESS CO.,LTD.



150 mm x 270 mm x 73 mm INA SL182230  
cylindrical roller bearings

Bearing No. SL182230

SL182230 Bearing 2D drawings and 3D CAD models

Size	150x270x73 mm
Bore Diameter	150 mm
Outer Diameter	270 mm
Width	73 mm
d	150 mm
D	270 mm
B	73 mm
D <sub>1</sub>	225,2 mm
d <sub>1</sub>	185,5 mm
E	237,35 mm
r <sub>min</sub>	3 mm
s	6 mm / Axial displacement
m	18,43 kg / Weight
C <sub>r</sub>	820000 N / Dynamic load rating (radial)
C <sub>0r</sub>	1160000 N / Static load rating (radial)
C <sub>ur</sub>	151000 N / Fatigue limit load, radial
n <sub>G</sub>	1560 1/min / Limiting speed
Category	Cylindrical Roller Bearings
Inventory	0.0
Manufacturer Name	SCHAEFFLER GROUP
Minimum Buy Quantity	N/A
Weight / Kilogram	22.09
Product Group	B04144



## ALL TYPES BEARINGS BUSINESS CO.,LTD.

Bore Profile	Straight
Cage Material	None
Precision Class	RBEC 1   ISO P0
Number of Rows of Rollers	Single Row
Separable	No
Rolling Element	Cylindrical Roller Bearing
Profile	Complete with Outer and Inner Ring
Snap Ring	No
Internal Clearance	C0-Medium
Retainer	No
Relubricatable	Yes
Inch - Metric	Metric
Other Features	Full Complement   2 Rib Inner Ring   1 Rib Outer Ring with Retaining Ring   Operating Temperature From -30 to 120 Deg
Long Description	150MM Bore; Straight Bore Profile; 270MM Outside Diameter; 73MM Width; RBEC 1   ISO P0; Single Row; Not Separable; No Snap Ring; Relubricatable; C0-Medium Internal Clearance; No Retainer
Category	Cylindrical Roller Bearing
UNSPSC	31171547
Harmonized Tariff Code	8482.50.00.00
Noun	Bearing
Manufacturer URL	<a href="http://www.ina.com">http://www.ina.com</a>
Manufacturer Item Number	SL182230
Weight / LBS	48.655
Outside Diameter	10.63 Inch   270 Millimeter
Bore	5.906 Inch   150 Millimeter
Width	2.874 Inch   73 Millimeter



**ALL TYPES BEARINGS BUSINESS CO.,LTD.**